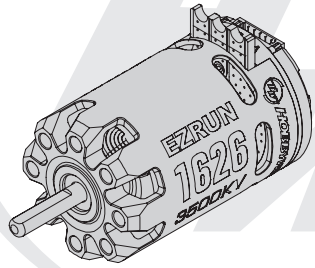




Thank you for purchasing this HOBBYWING product! The power of brushless power system is powerful. Any improper use may cause personal injury and damage to the product and related devices. We strongly recommend reading through this user manual before use and strictly abide by the specified operating procedures. We shall not be liable for any liability arising from the use of this product, including but not limited to reimbursement for incidental or indirect losses. Meanwhile, we do not assume any responsibility caused by unauthorized modification of the product. We have the right to change the product design, appearance, performance and use requirements without notice.

EZRUN USER MANUAL

Sensored Brushless Motor
EZRUN 1626SD



20221026

01 Warnings

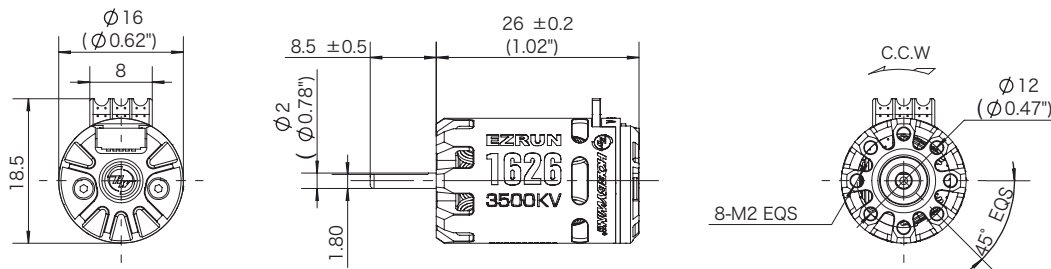
- Please carefully check power devices and manual of car frame to ensure the power pairing is reasonable. Avoid wrong pairing to overload and damage the motor.
- Always wire up all the parts of the equipment carefully. If any of the connections come loose as a result of vibration, your model RC may lose control.
- Never apply full throttle if the pinion is not installed. Due to the extremely high RPMs without load, the motor may get damaged.
- Never allow the motor case to get 100 degrees Celsius (212 degrees Fahrenheit) because the magnets maybe demagnetized by high temperature.

02 Features

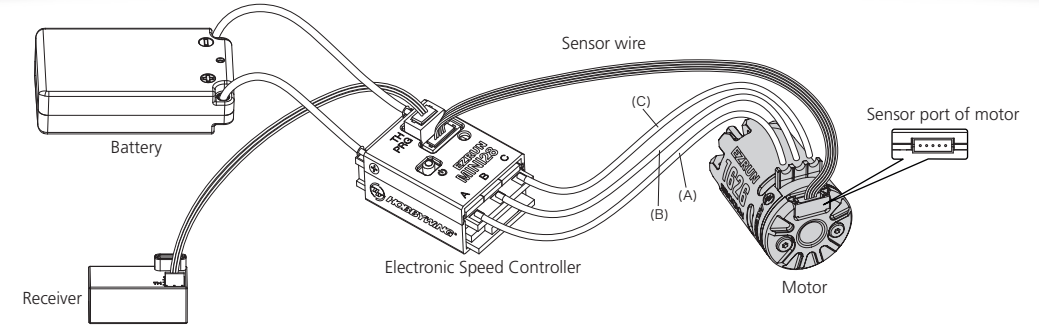
- Specially designed for 1/28 mini car, when matched with Hobbywing EZRUN MINI28 esc, it has perfect compatibility, and provides better performance and more delicate manipulating feel.
- The front and rear ends of the motor are designed with large openings structure to provide better heat dissipation for the motor.
- Built in high-precision Hall sensor combined with the high precision and balanced rotor to ensure excellent linearity of the motor.
- The internal PCB is a 4-layer board, and the ABC wiring position is reinforced by punching holes, prevent the soldering spot from falling off after multiple soldering.

03 Specifications

Model	KV	LiPos	No-load Current (A)	Diameter/Length (mm)	ShaftDiameter/Length (mm)	Bearing size (mm)	Poles	Weight (g)	Applications
EZRUN-1626SD-3500KV	3500KV		0.4A						
EZRUN-1626SD-5000KV	5000KV	2S	0.5A	φ=16mm (0.63in) L=26mm (1.02in)	φ=2.0mm (0.08in) L=8.5mm (0.33in)	D5*D2*T2.5	2	18g	1/28 Mini
EZRUN-1626SD-6500KV	6500KV		0.6A						



04 Installation & Connection



1. Install the motor

There are 8 motor mounting holes in M2 specification, and the mounting holes are 2.5mm in depth, before installing the motor on the vehicle, please carefully confirm whether the specification of the screws is appropriate according to the thickness of the motor mounting plate to avoid damage to the motor due to too long screws.

2. How to Connect the Motor to an ESC

- When connecting the motor and esc, please pay attention to the marked three-phase position of A, B and C to ensure that the three wires of the motor and esc are connected correspondingly. Otherwise, it cannot run normally and even damage the esc and motor.
That is: Wire A of the esc matches wire A of the motor, wire B of the esc matches wire B of the motor, wire C of the esc matches wire C of the motor.
- Connecting the sensor cable to the motor and esc.

3. Inspection

Before power on the esc, please check the reliability of the motor installation and the correctness of all connections.

05 Gearing

Reasonable selection of gear ratio is very important. Improper gear ratio may bring you great loss. You can select the gear ratio according to the following points!

1. The running temperature of the motor

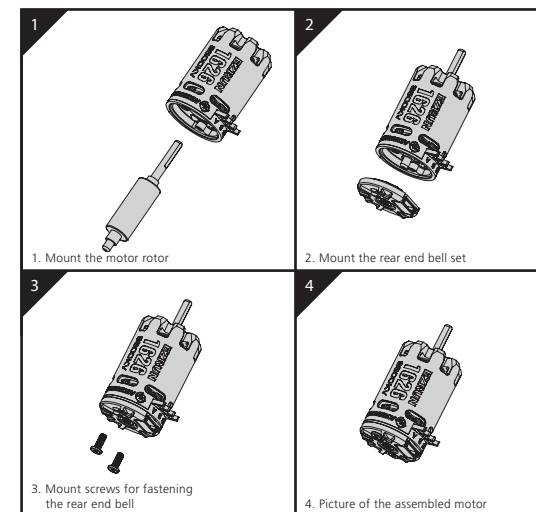
The motor temperature should be lower than 100 degrees Celsius (212 degrees Fahrenheit) in operation. Because high temperature may cause the magnets to get demagnetized, the coil to get melt and short circuited, and the ESC to get damaged. A suitable gearing ratio can effectively prevent the motor from overheating.

2. The principle of selecting gear ratio

To avoid the possible damage to ESC and motor caused by the overheat, please start with a small pinion/a big FDR and check the motor temperature regularly. If the motor and ESC temperature always stay at a low level during the running, you can change a big pinion/a low FDR and also check the motor temperature regularly to ensure that the new FDR is suitable for your vehicle, local weather and track condition. (Note: For the safety of electric devices, please check the ESC and motor temperature regularly.)

06 Assembly and Disassembly

In order to make the motor have longer service life and higher efficiency, we suggest to regularly check the bearing and clean the dirt in the motor. The specific time depends on the frequency of using the motor and the site conditions. When installing, please follow the steps in the following assembly drawing; when disassembling, follow the reverse steps.



Parts List

